

P1 CHANNEL LIFTER WITH DC3 DUAL VACUUM SYSTEM

MODEL: P11104DC3

Quick attach and release times, a full range of load motion and a long-lasting battery make this lifter indispensable for installing glass at the job site or handling glass in multiple shop locations.

WPG Bestseller!

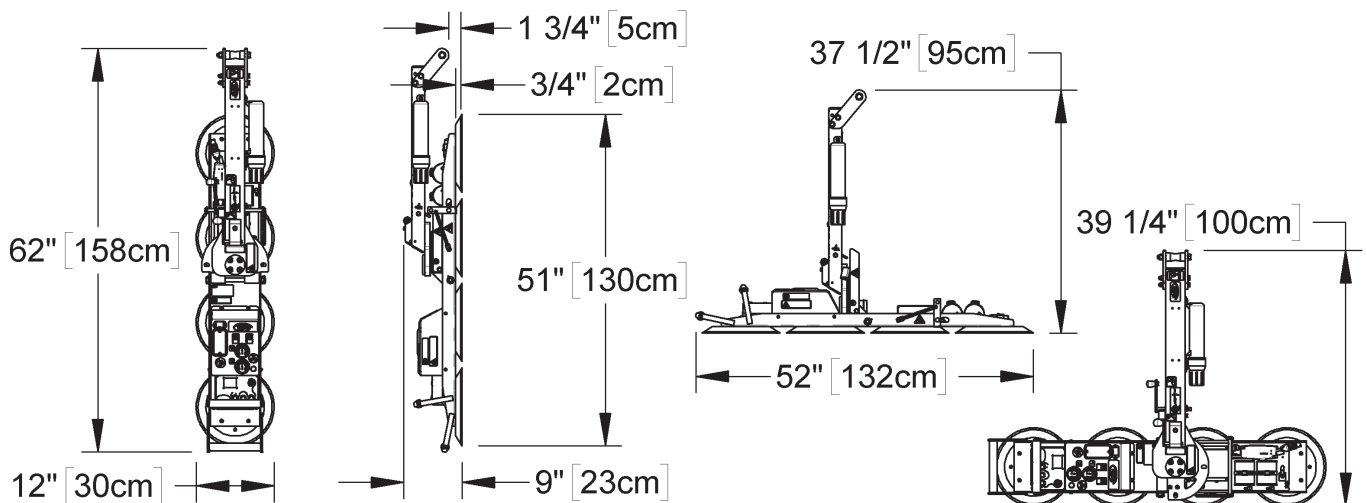
Versatility, simplicity and reliability help make this our most popular lifter.

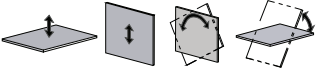
Compact Design

By combining a small footprint with outstanding capacity, this lightweight lifter can handle an extraordinary number of load sizes.

Intelli-Grip[®] Technology

WPG's exclusive technology increases productivity and improves safety. Download the Intelli-Grip[®] App to monitor the lifter from a distance!



Model	P11104DC3
Maximum Load Capacity	700 lbs [320 kg]
Standard Pad Spread	51" x 12" [130 cm x 30 cm]
Number/Size of Pads	4 / 11" [28 cm] diameter, lipped pads
Load Movement	Manual rotation, 180° edgewise, with locking at each 1/4 turn. Manual tilt, 90° between upright and flat, with automatic latching in upright position (in center rotation position, as shown on drawings).
	
Standard Operating Power	12 volts DC, 5.5 amps
Lifter Weight	95 lbs [44 kg]

STANDARD FEATURES

Intelli-Grip® Technology

Available exclusively from Powr-Grip®! Actively monitors power and vacuum systems to increase safety and productivity, using LCD-screen messages, diagnostic codes and other features

Dual Vacuum System

Features two independent air-line circuits to reduce risk of workplace accidents

High-Flow Vacuum Pump

Enables a vacuum lifter to attach and release more rapidly, increasing productivity on the job

Adjustable-Position Lift Spool

Provides different lift points to optimize the lifter's hang angle, making repetitive material placement quicker and easier

Battery and Charger

Provide independent, rechargeable power source for cord-free lifter operation in any location; on-board charger features status indicator and automatic shut-off

Battery Gauge

Shows energy level in real time, to help determine when charging is needed

Notification Buzzer and Strobe Light

Alert operator of problems with power or vacuum system, with various patterns of sound and light to indicate severity; back-up battery provides independent power for buzzer

Green Lift Light

Provides visual assurance to know when vacuum is sufficient for lifting

Vacuum Gauges

Feature green and red zones to clearly indicate whether vacuum levels are sufficient for lifting

Vacuum Line Filters

Protects the vacuum generating system from contaminants

Vacuum Reserve Tanks

Increase battery run-time by reducing pump cycles needed to maintain vacuum

Two-Action, Blow-Off Release

Uses two separate buttons to avoid accidental release, and reverses airflow to quickly release loads without after-stick

AVAILABLE OPTIONS

Remote Control System (59906)

Controls attach, release and other powered functions up to 250' [76 m] away for installing windows and more in multi-story buildings

Counterbalance Lifter (CB2DCS)

Adjusts the hang angle of the lifter or load as needed for each job, while also providing the ability to reach under eaves, gables and other overhanging obstacles; radio controls enable remote use

Alternative Vacuum Pads

Adapt lifter to specialized uses, including:

- 9" [23 cm] diameter pad (VPFS9) for quick attachment to rigid, flat loads
- 10" [25 cm] diameter, lipped pad (HV11) for handling semiporous, flat loads
- 10" [25 cm] diameter concave pad (G0750) for handling curved loads
- 10" [25 cm] diameter pad with replaceable sealing ring (VPFS10T) for handling Insulated Metal Panels or other textured loads (Specifications not as previously listed. Please contact us for more information)

Alternative Pad Compounds

Specially designed for heat resistance, marking resistance, coated surfaces and other purposes

Shipping Case (53005)

Provides protection for storing and shipping the lifter

DESIGN STANDARDS

ASME B30.20 (BTH-1 Design Category "B", Service Class "0"): Industry standards established by the American Society of Mechanical Engineers (ASME) and published by the American National Standards Institute (ANSI)

CE/UKCA: Regulatory standards for health and safety required in the European Union and the United Kingdom

AS 4991: Regulatory standard required in Australia

SHIPPING CASE

Specially designed case protects your lifter during shipping and storage.

- Thermo-formed polymer makes case durable and water-resistant.
- Interior straps hold lifter firmly in place.
- Exterior straps keep case securely closed.
- Built-in handles facilitate manual handling.
- Case design enables stacking and forklift handling.



