

LOW-PROFILE MANUAL ROTATOR/TILTERS 1100 WITH DC3 DUAL VACUUM SYSTEM

MODELS:

MRTALP811LDC3 For smooth/flat material (Glass)

MRTALP810TDC3 For textured/irregular material (IMPs)

These lifters pair powerful performance with a compact design. T-Arm and extension options allow handling of insulated metal panels, too!



Low-Profile Design

Specially designed to allow the lifter to install in tight, narrow spaces.

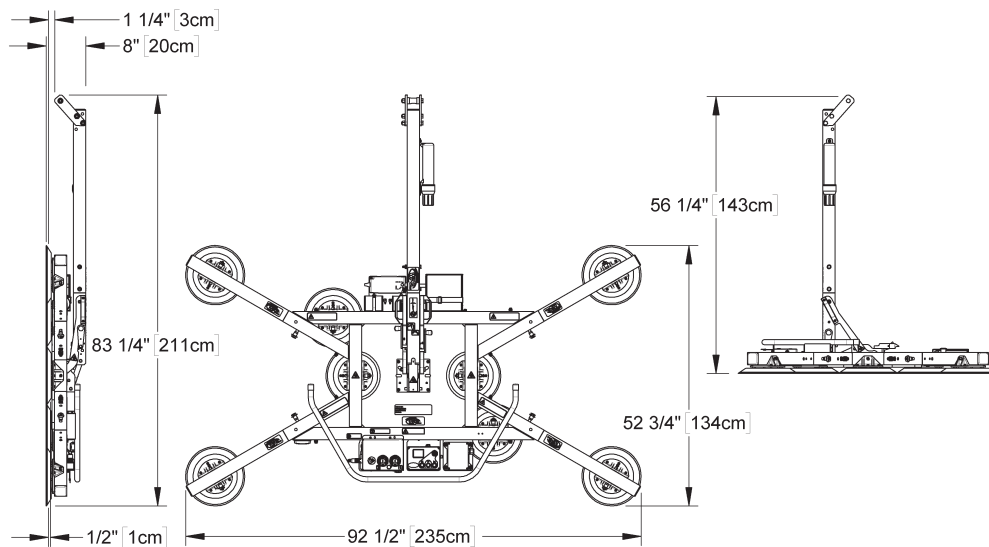
Quadra-Tilt System

Eases load-position changes from upright to flat, as well as protecting against unexpected motions when the tilt latch is released.

Intelli-Grip® Technology

Looking for better productivity and increased safety?

Count on reliable monitoring of power and vacuum systems with Intelli-Grip® – available exclusively from WPG!



Model MRTALP811LDC3 shown

Model	MRTALP811LDC3	MRTALP810TDC3
Maximum Load Capacity	1100 lbs [500 kg] See Frame Configurations and Capacities	
Standard Pad Spread	Minimum Width: 17" [43 cm] Maximum Width: 52-3/4" [134 cm] Minimum Length: 44-1/2" [113 cm] Maximum Length: 102" [259 cm]	Minimum Width: 16-3/4" [42 cm] Maximum Width: 52-1/2" [133 cm] Minimum Length: 44-1/4" [113 cm] Maximum Length: 101-3/4" [259 cm]
Number/Size of Pads	8 / 11" [28 cm] dia. lipped pads	8 / 10" [25 cm] dia. pads with replaceable sealing rings
Load Movement	Manual rotation, 180° edgewise, with locking every 30° Assisted manual tilt, 90° between upright and flat, with automatic latching in upright position	
Standard Operating Power	12 volts DC, 4.5 amps	
Profile Thickness	8" [20 cm] (does not include load)	
Lifter Weight	220 lbs [100 kg]	

STANDARD FEATURES

Intelli-Grip® Technology

Available exclusively from Powr-Grip®! Actively monitors power and vacuum systems to increase safety and productivity, using LCD-screen messages, diagnostic codes and other features

Dual Vacuum System

Features two independent air-line circuits to reduce risk of workplace accidents

Adjustable-Position Lift Spool

Provides three different lift points to optimize the lifter's hang angle, making repetitive material placement quicker and easier

High Capacity Battery and Charger

Provide independent, rechargeable power source for cord-free lifter operation in any location; on-board charger features status indicator and automatic shut-off

Battery Gauge

Shows energy level in real time, to help determine when charging is needed

Notification Buzzer and Strobe Light

Alert operator of problems with power or vacuum system, with various patterns of sound and light to indicate severity; back-up battery provides independent power for buzzer

Green Lift Light

Provides visual assurance to know when vacuum is sufficient for lifting

Vacuum Gauges

Feature green and red zones to clearly indicate whether vacuum levels are sufficient for lifting

Vacuum Line Filters

Prevent liquid and other contaminants from damaging the vacuum generating system

Vacuum Reserve Tanks

Increase battery run-time by reducing pump cycles needed to maintain vacuum

Spring-Mounted Vacuum Pads

Automatically adjust to match the angle of load surfaces, easing attachment

STANDARD FEATURES

(Re)movable Pad Mounts

Can be moved or removed without tools, adapting the lifter to various load sizes and weights

Extension Arms

Permit multiple lifter configurations for tool-free adaptation to many different load sizes

Quadra-Tilt System

Uses four-bar tilt linkage to reduce operator effort when transferring loads between flat and upright positions, and automatically holds loads in those positions without latches.

Two-Action, Blow-Off Release

Uses two separate buttons to avoid accidental release, and reverses airflow to quickly release loads without after-stick

AVAILABLE OPTIONS

Remote Control System (59906)

Controls attach, release and other powered functions up to 250' [76 m] away for installing windows and more in multi-story buildings

Pad Frame T-Arm Assemblies (97465 & 97465HV)

Adapt lifter for convenient handling of insulated metal panels or other loads with textured surfaces (sold in pairs)

Vertical Lift Bar (57353)

Increases the load capacity of MRTALP lifters to 1400 lbs [635 kg]. Not capable of rotating or tilting - Vertical Lift only

Long Extension Arms (95725)

Provide necessary support and rigidity to handle large-dimension loads with less risk to the overhanging portion (sold per arm - 4 required)

Adjustable Spacers for Movable Pad Mounts (93101 & 93101AM)

Enable lifters to handle windows with mullions or other loads with surface obstructions

Alternative Vacuum Pads

Adapt lifter to specialized uses, including:

- 9" [23 cm] diameter pad (VPFS9) for quick attachment to rigid, flat loads
 - 10" [25 cm] diameter, concave pad (G0750) for handling curved loads
- (Specifications not as listed above. Please contact us for more information)

Counterbalance Lifter (CB2DCS)

Adjusts the hang angle of the lifter or load as needed for each job, while also providing the ability to reach under eaves, gables and other overhanging obstacles

Alternative Pad Compounds

Specially designed for heat resistance, marking resistance, coated surfaces and other purposes

DESIGN STANDARDS

ASME B30.20 (BTH-1 Design Category "B", Service Class "0"): Industry standards established by the American Society of Mechanical Engineers (ASME) and published by the American National Standards Institute (ANSI)

CE: Regulatory standards for health and safety required in the European Union

AS 4991: Regulatory standard required in Australia

FRAME CONFIGURATIONS AND CAPACITIES

