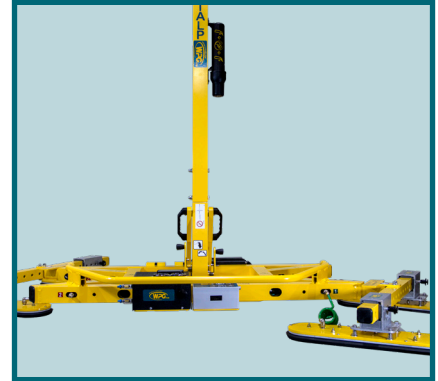
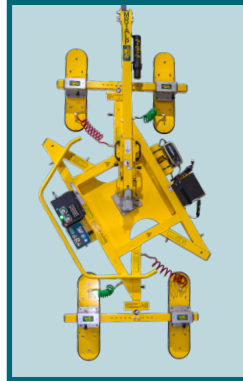


AVAILABLE TO LEASE!

Contact your WPG Authorized Dealer or Tech Sales Rep for more information.



PANEL MASTER

MODEL: MRTALP4625DC3

Designed specifically for lifting and positioning Insulated Metal Panels, this low-profile WPG model handles loads up to 600 lbs (270 kg).

Special 6" x 25" Vacuum Pads

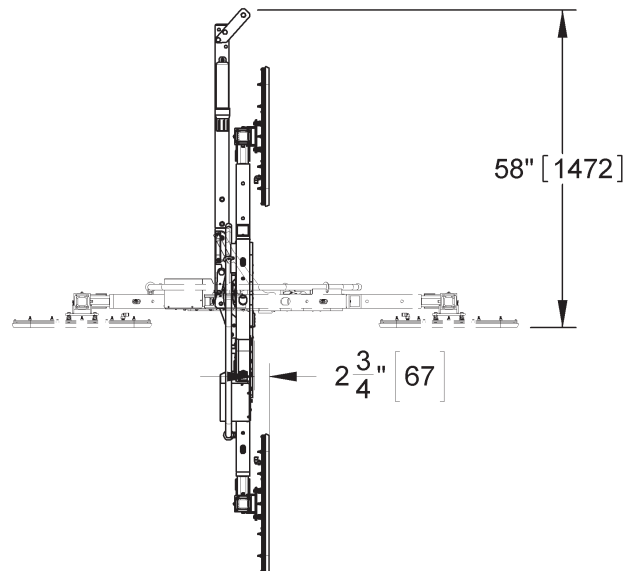
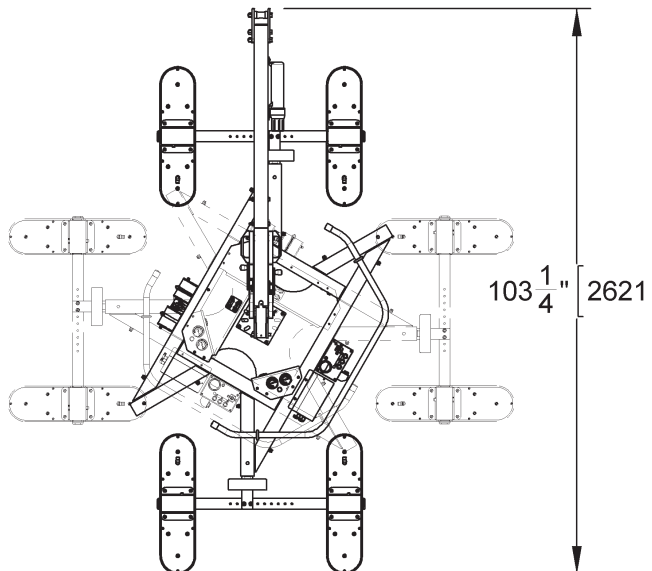
Attach to panels that have high ribs or standing seams.

Adjustable Pad Arms and Movable Pad Mounts

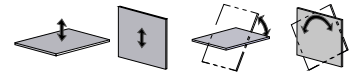
Allow the lifter to match a variety of panel profiles (widths, contours).

Quadra-Tilt Design

Enables a single operator to easily move heavy loads between upright and flat positions.



Model	MRTALP4625DC3
Maximum Load Capacity	600 lbs [270 kg] for load thickness up to 12" [30 cm] (see page 3)
Standard Pad Spread	Maximum: 37" x 92-1/2" [94 cm x 235 cm] Minimum: 20" x 92-1/2" [51 cm x 235 cm]
Number/Size of Vacuum Pads	4 / 6" x 25" [15 cm x 64 cm]
Lifter Weight	250 lbs [114 kg]
Load Movement	Manual rotation, 180° edgewise, with locking every 30° Assisted manual tilt, 90° between upright and flat, with automatic latching in upright position
Standard Operating Power	12 volts DC, 5.5 amps
Profile Thickness	10-1/4" [26 cm] (does not include load)



STANDARD FEATURES

Intelli-Grip® Technology

Available exclusively from Powr-Grip®! Actively monitors power and vacuum systems to increase safety and productivity, using LCD-screen messages, diagnostic codes and other features

Dual Vacuum System

Features two independent air-line circuits to reduce risk of workplace accidents

Adjustable-Position Lift Spool

Provides different lift points to optimize the lifter's hang angle, making repetitive material placement quicker and easier

Battery and Charger

Provide independent, rechargeable power source for cord-free lifter operation in any location; on-board charger features status indicator and automatic shut-off

Battery Gauge

Shows energy level in real time, to help determine when charging is needed

Notification Buzzer and Strobe Light

Alert operator of problems with power or vacuum system, with various patterns of sound and light to indicate severity; back-up battery provides independent power for buzzer

Green Lift Light

Provides visual assurance to know when vacuum is sufficient for lifting

Vacuum Gauges

Feature green and red zones to clearly indicate whether vacuum levels are sufficient for lifting

Vacuum Line Filters

Protect the vacuum generating system from contaminants

Vacuum Reserve Tanks

Increase battery run-time by reducing pump cycles needed to maintain vacuum

Spring-Mounted Vacuum Pads

Automatically adjust to match the angle of load surfaces, easing attachment

Movable Pad Mounts

Allow vacuum pads to be moved without tools, adapting the lifter to various load sizes

Pad Frame T-Arm Assemblies

Easily adapt to support different panel widths and contours (no tools required)

Two-Action, Blow-Off Release

Uses two separate buttons to avoid accidental release, and reverses airflow to quickly release loads without after-stick

AVAILABLE OPTIONS

Remote Control System (59906)

Controls attach, release and other powered functions up to 250' [76 m] away for installing insulated metal panels in multi-story buildings

Pad Frame Extension Kit (97464)

Enables the lifter to install roof panels up to 600 lbs [270 kg] and over 55' [17 m] long

Pad Frame Rocker Arms (97463)

Enable the lifter to install roof panels up to 1100 lbs [500 kg] and over 60' [18.5 m] long (requires 97464 and 97465)

Pad Frame T-Arm Assemblies (additional set 97465)

Combine with options 97464 and 97463 to support longer and heavier roof panels

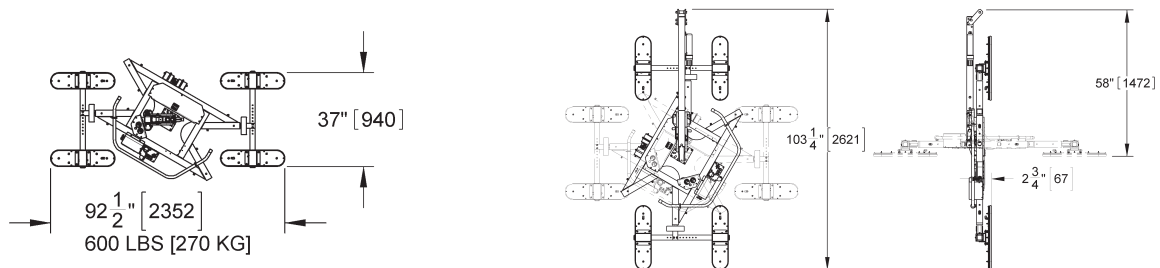
DESIGN STANDARDS

ASME B30.20 (BTH-1 Design Category "B", Service Class "0"): Industry standards established by the American Society of Mechanical Engineers (ASME) and published by the American National Standards Institute (ANSI)

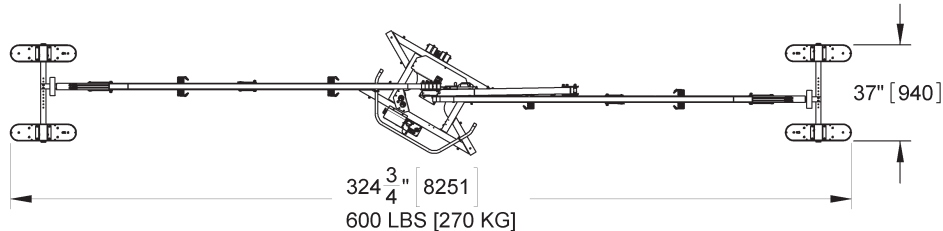
CE/UKCA: Regulatory standards for health and safety required in the European Union and the United Kingdom.

OPTIONAL PAD FRAME CONFIGURATIONS & CAPACITIES

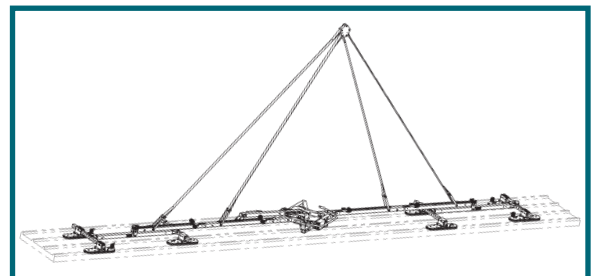
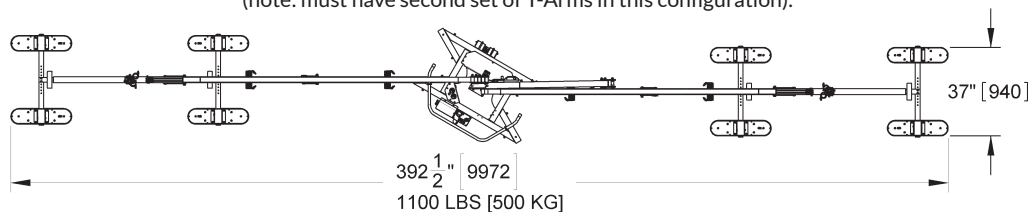
Accommodates panels over 35' [10.5 m] in the standard configuration (maximum size shown - narrower configurations possible)



Accommodates panels over 55' [17 m] with option 97464 (maximum size shown - smaller configurations possible)



Accommodates panels over 60' [18.5 m] with the following options: 97463, 97464 and 97465 (note: must have second set of T-Arms in this configuration).



FOR LIFTING LOADS IN FLAT ORIENTATION ONLY.

