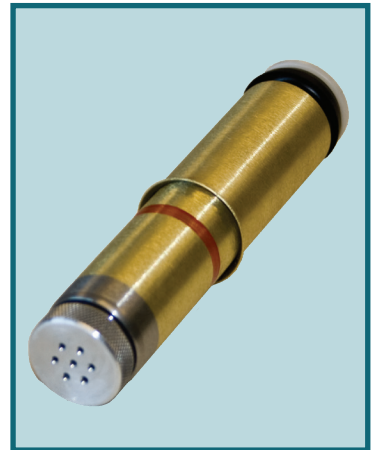


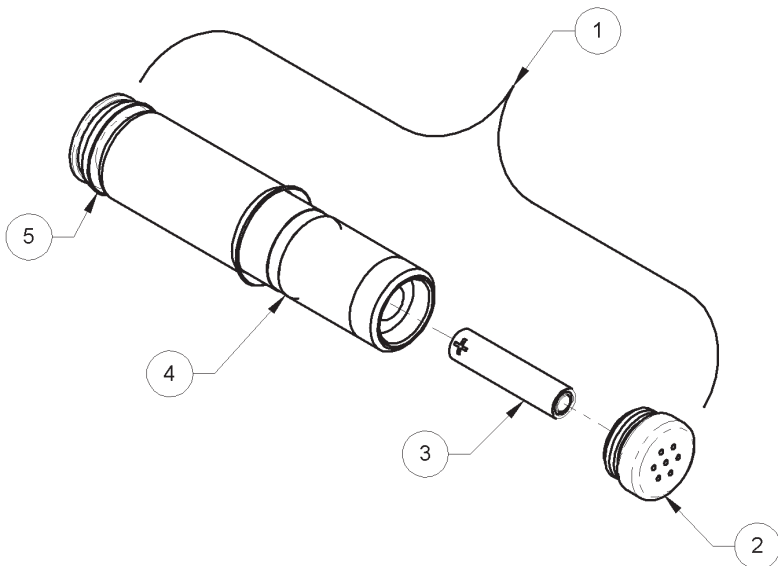
LOW VACUUM AUDIO ALARM

STOCK: 90524AM

This alarm adds another level of safety to handling materials with WPG's world-famous hand cups.



Low Vacuum Audio Alarm shown on N4950 hand cup



1. PLUNGER ASSEMBLY WITH AUDIO ALARM
2. PLUNGER CAP WITH SOUND EMISSION HOLES
3. AAA BATTERY POWER SOURCE
4. RED LINE INDICATOR
5. U-CUP

FEATURES

The durable, metal-clad plunger can be ordered in most new, metal N-Series Vacuum Cups, as well as model LJ6VH, or installed on Powr-Grip® cups currently in the field (including models LJ6VH, N4950, N5450 and N6450)

Emits an audible warning to the user and others, in the case of a vacuum loss

Increases peace of mind in circumstances that make it difficult to see a plunger's red-line indicator

Ideal for use with the VL2MAN Hand Cup Frame or other products that employ hand cups

Unlike competitors' products, WPG's alarm automatically turns on or off as necessary, which eliminates the need for a power switch, increases battery life, and simplifies customer use

Includes long-lasting, easy-to-replace AAA battery

SPECIFICATIONS

Alarm Volume	70 dBa at 36" [91 cm]
Power Source	One AAA, 1.2-1.5 volt battery; automatic on/off function
Battery Life	30 hours of continuous tone

Based on product information at time of publication. Environmental conditions can affect product performance and longevity; consult the product instructions on WPG.com or contact a Technical Sales Representative for more information.

